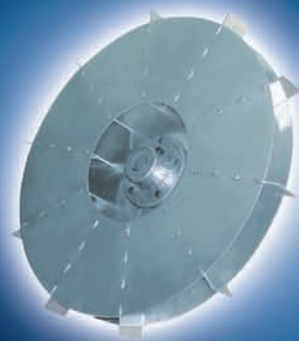
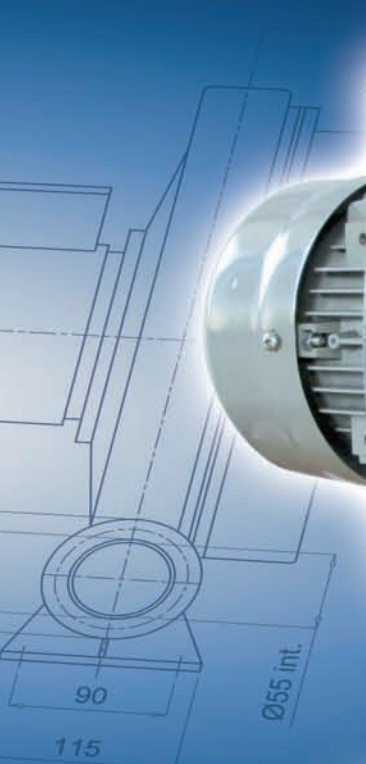
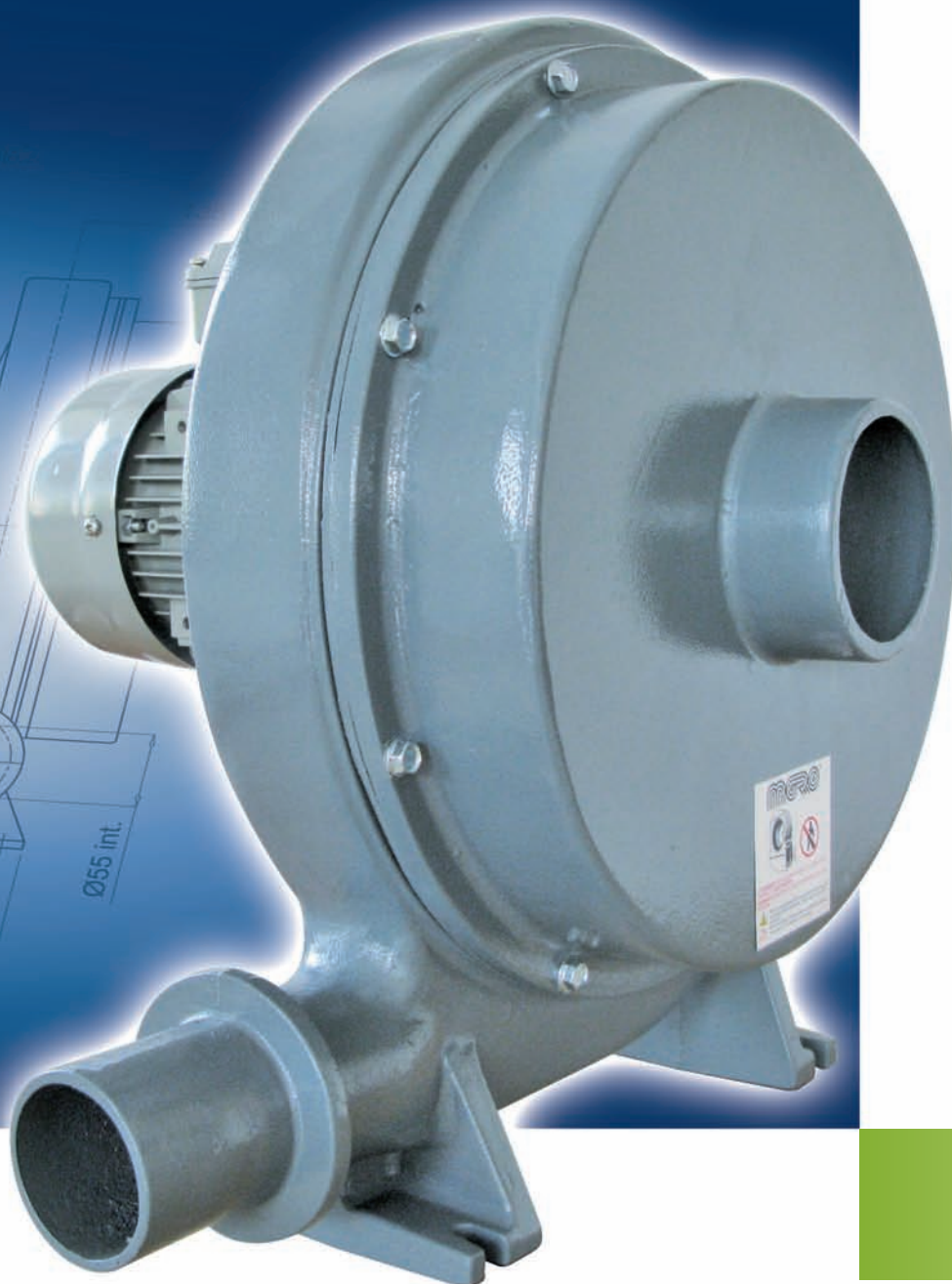


BSTS 27

CENTRIFUGAL FAN



TWO-STAGES



VERY HIGH PRESSURE

Portata/Flow rate:
300 m³/h

Pressione/Pressure:
300 mm H₂O



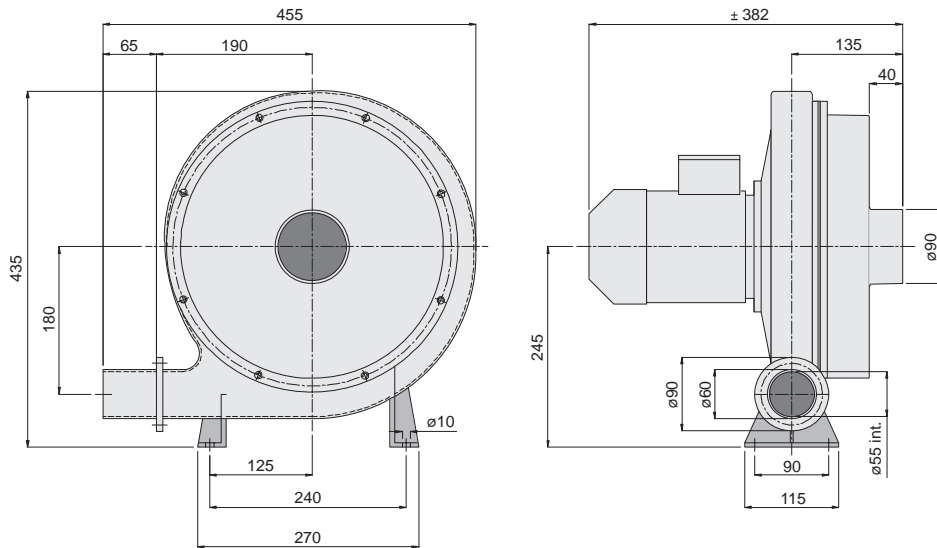
BSTS 27

ASPIRATORE VENTILATORE CENTRIFUGO
CENTRIFUGAL FAN



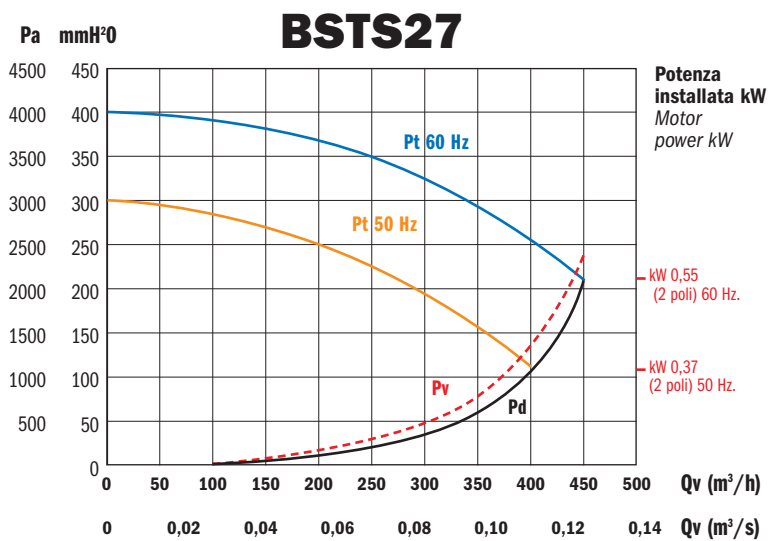
BSTS27 series blowers are suitable for clean fluids treatment with quite high depression levels and relatively small flow rates. Standard execution blowers are provided with painted aluminium casings, closed radial blades aluminium impellers and 2 poles electrical motors. Transported fluids can reach maximum temperature of 70°C . BSTS27 blowers are available only in LG270 rotation sense.

Position LG270



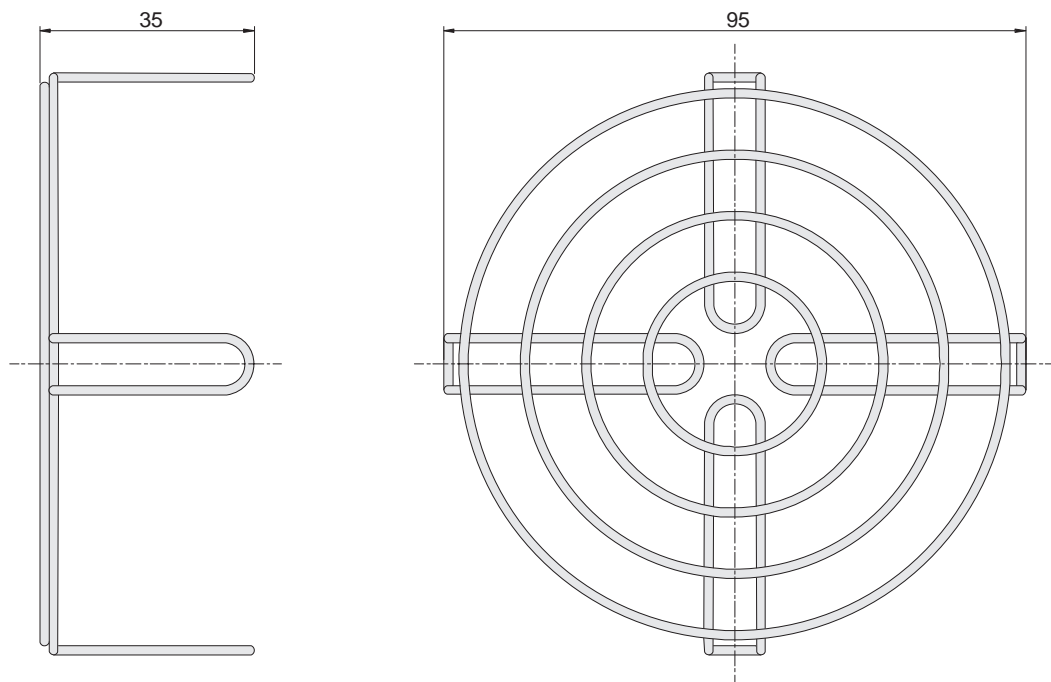
Rotation senses (seen from motor side)

TYPE		kW inst.	WEIGHT kgf	NOISE LEVEL
FAN	FREQUENCY			
BSTS27	50	0,37	14,5	52
	60	0,55	16	62



— Pt= Pressione totale - Total pressure
- - - Pv= Potenza assorbita - Absorbed power
— Pd= Pressione dinamica - Dynamic pressure

INLET SCREEN PROTECTION



INLET FILTER

